

Overview



SITRANS F C MC2 is available as a:

- Standard version (DN 50 to DN 150 (2" to 6"))
- Hygienic EHEDG-certified version (DN 20 to DN 80 (¾" to 3"))

The MC2 sensor is suitable for accurate mass flow measurement of a variety of liquids and gases.

The sensor offers superior performance in terms of flow accuracy, turn-down ratio and density accuracy and delivers true multi-parameter measurements i.e.: mass flow, volume flow, density, temperature and fraction flow.

The very compact sensor construction makes installation and commissioning of even the largest sizes very straight forward and easy.

Benefits

- High accuracy better than 0.15 % of mass flow rate
- Large dynamic turn-down ratio
- Densitometer performance available through density accuracy better than 0.001 g/cm³
- Space-saving split-flow sensor design facilitating low pressure loss
- Parallel S-tube design and optimal oriented inductive sensors enhances accuracy and turn-down ratio.
- Self-draining in both horizontal and vertical position
- Rigid enclosure design reduces the influence from pipeline vibration and thermal stress
- 4-wire Pt100 temperature measurement ensures optimum accuracy on mass flow, density and fraction flow
- SENSORPROM enables true "plug & play" - installed and commissioned in less than 10 minutes.
- Safe Ex design EEx em [ib] IIC
- Sensor pipe available in high-quality AISI 316L stainless steel mat. no. 1.4571 or Hastelloy C4 mat. no. 2.4610 offering optimum corrosion resistance.
- The sensor calibration is also valid for gas measurement.
- CIP cleanability for food and beverage and pharmaceutical applications

Application

Coriolis mass flowmeters are suitable for measuring all liquids and gases. The measurement is independent of changes in process conditions/parameters such as temperature, density, pressure, viscosity, conductivity, and flow profile.

Due to this versatility the meter is easy to install and the Coriolis flowmeter is recognized for its high accuracy in a wide turndown ratio which is paramount in many applications.

The main applications of the Coriolis flowmeter can be found in all industries, such as:

Chemical and pharma	Detergents, bulk chemicals, pharmaceuticals, acids, alkalis
Food and beverage EDEHG-certified	Dairy products, beer, wine, soft-drinks, plato/brix, fruit juices and pulps, bottling, CO ₂ dosing, CIP-liquids
Oil and gas	Gas measurement, furnace control, test separators, LPG, oil bunkering
Water and waste water	Dosing of chemicals for water treatment

The wide variety of combinations and versions from the modular system means that ideal adaptation is possible to each measuring task.

The MC2 sensor is also available in a hygienic version which is EHEDG-approved. This is of particular interest for the food and beverage and pharmaceutical markets where the EHEDG approval is often requested for optimum hygienic and process safety.

Design

The MC2 sensor consists of 2 parallel measuring pipes, welded directly onto a flow-splitter at each end to eliminate a direct coupling to the process connectors and significantly reduce effects from external vibrations.

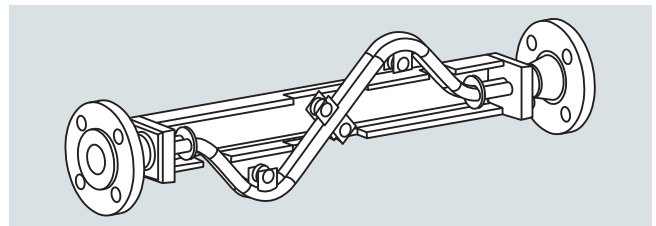
The flow-splitters are welded onto a rigid sensor housing which acts as a mechanical low-pass filter.

The sensor is available in 2 material configurations, AISI 316L or Hastelloy C4 with a wide variety of process connections.

The enclosure is made of stainless steel AISI 304 mat. no. 1.4301 with an encapsulation grade of IP67/NEMA 4.

The sensor is Ex-approved EEx em [ib] IIC.

It can be installed in horizontal or vertical position, and is self-draining in both positions.



The MC2 sensor is based on a different Ex concept than MASS 6000. Therefore the MC2 sensor can only be connected to MASS 6000 IP67, MASS 6000 19" or SIFLOW FC070 standard versions, which have to be remote mounted in the safe area. MASS 6000 Ex d can **not** be used with MC2 sensors.



Hazardous area
Zone 1 + 2



Safe area

Flow Measurement SITRANS F C

Flow sensor SITRANS F C MC2

Function

The measuring principle is based on the Coriolis effect. See "System information Coriolis mass flowmeters".

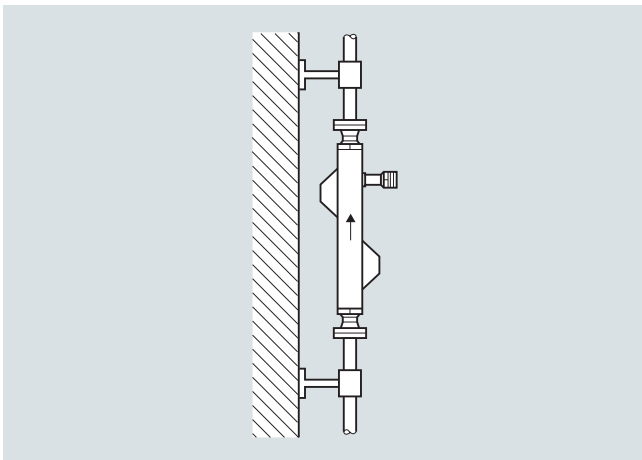
Integration

Installation guidelines MC2 DN 50 ... DN 150

Installation of sensor

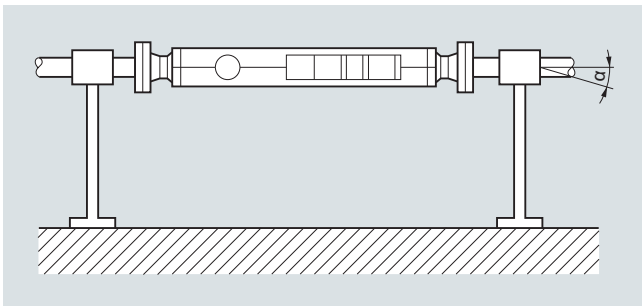
The optimal installation orientation is a vertical installation with an upward flow as shown in the following figure. This has the advantage that any solids contained in the fluid will settle downward and gas bubbles will move upward out of the meter tube when the flow rate is zero. Additionally, it is easy to drain the meter tube. Deposits can thereby be avoided.

Vertical orientation:

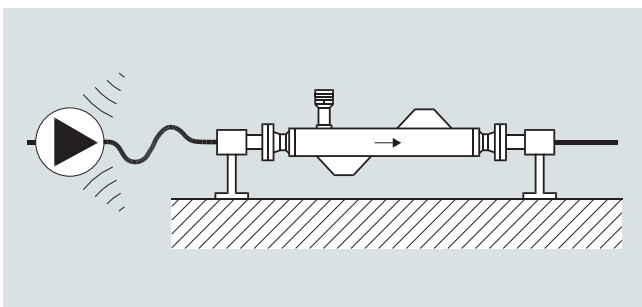


Vertical installation self-draining (upward flow)

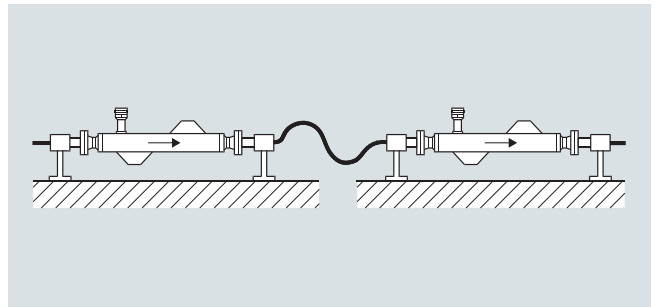
Horizontal orientation, self-draining



Avoid vibrations

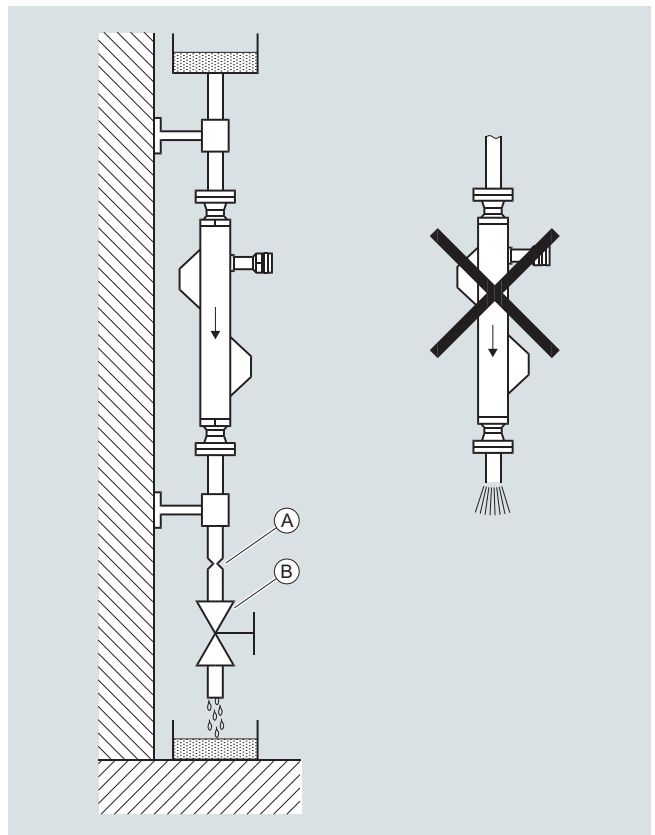


Avoid cross talk



Installation in a drop line

Mount with reduction (A) or orifice (B) to prevent partially draining.



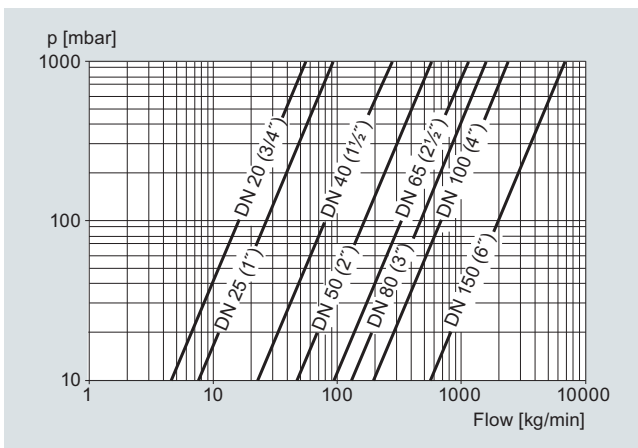
Installation in a drop line

Technical specifications

Versions (mm (inch))		20 (¾)	25 (1)	40 (1½)	50 (2)	65 (2½)	80 (3)	100 (4)	150 (6)
Inside pipe diameter	mm (inch)	8.0 (0.31)	10.0 (0.39)	16.0 (0.63)	22.0 (0.87)	29.0 (1.14)	34.0 (1.34)	43.1 (1.69)	76.1 (2.99)
Pipe wall thickness	mm (inch)	1.0 (0.04)	1.0 (0.04)	1.0 (0.04)	1.5 (0.06)	1.5 (0.06)	2.0 (0.08)	2.6 (0.10)	3.2 (0.13)
Mass flow measuring range at pressure drop of 2 bar (29 psi) at 1 g/cm³ (0.036 lb/inch³)	kg/h (lb/h)	4 600 (10 141)	7 360 (16 226)	21 850 (48 171)	55 200 (121 695)	113 400 (250 000)	147 600 (325 401)	249 600 (550 273)	660 000 (1 455 049)
Density	g/cm³ (lb/inch³)	0.5 ... 3.5 (0.18 ... 0.126)							
Fraction e.g. Brix	°Brix	0 ... 100							
Temperature									
Standard-version					-50 ... +200 °C (-58 ... +392 °F)				
Ex-version					-50 ... +200 °C (-58 ... +392 °F)				
Liquid pressure measuring pipe		20	25	40					
Stainless steel (DIN 2413, 20 °C (68 °F))	bar (psi)	100 (1450)	100 (1450)	100 (1450)	100 (1450)	100 (1450)	100 (1450)	40 (580)	40 (580)
Materials									
Measuring pipe					SS 1.4571 or Hastelloy C4, mat. no. 2.4610				
Flange					SS 1.4571 or Hastelloy C4, mat. no. 2.4610				
Enclosure									
Enclosure material/connection box					IP67 Mat. no. 1.4301/aluminium, max. pressure 40 bar (580 psi)				
Process connections									
Electrical connections					See dimensional drawings Screw terminals, M 20				
Cable					5 x 2 x 0.35 mm ² twisted and screened in pairs, ext. Ø 12 mm				
Cable length					10, 25, 75 or 150 m (32.8, 82, 246 or 492 ft.)				
Ex-version									
ATEX 1443X					≤ DN 40: II 1/2 EEx em [ib] IIC T2-T6 ≥ DN 50: II 2G EEx em [ib] IIC T2-T6				
Weight approx.	kg (lb)	13 (28)	14 (31)	18 (40)	34 (75)	47 (104)	58 (128)	91 (201)	261 (573)

For accuracy specifications see „System information Coriolis mass flowmeters“.

Pressure drop



Flow Measurement

SITRANS F C


Flow sensor SITRANS F C MC2

Selection and Ordering data	Order No.	Order code
SITRANS F C flow sensors MC2	7ME4300-	
Nominal diameter		
Mat. no. 1.4571/316Ti		
DN 50	1 A	
DN 65	1 B	
DN 80	1 C	
DN 100	1 D	
DN 150	1 E	
Hastelloy C4, mat. no 2.4610		
DN 50	2 A	
DN 65	2 B	
DN 80	2 C	
DN 100	2 D	
DN 150	2 E	
Nominal pressure		
PN 40	A	
PN 100	B	
Class 150	C	
Class 300	D	
Class 600	E	
Clamps/screwed-connections	F	
Process connections		
Flange EN 1092-1		
DN 50 (PN 40/PN 100)	2 0	
DN 65 (PN 40/PN 100)	2 1	
DN 80 (PN 40/PN 100)	2 2	
DN 100 (PN 40)	2 3	
DN 150 (PN 40)	2 4	
Flange ASME/ANSI		
2" (class 150/300/600)	3 0	
2 ½" (class 150/300/600)	3 1	
3" (class 150/300/600)	3 2	
4" (class 150/300)	3 3	
6" (class 150/300)	3 4	
Dairy screwed connection to DIN 11851		
DN 50 (PN 25)	4 0	
DN 65 (PN 25)	4 1	
DN 80 (PN 25)	4 2	
DN 100 (PN 25)	4 3	
Dairy clamp connection DIN 32676 Tri-clamp		
50 mm clamp (PN 16)	5 0	
66 mm clamp (PN 10)	5 1	
81 mm clamp (PN 10)	5 2	
100 mm clamp (PN 10)	5 3	
Aseptic nut flange DIN 11864-2 form A for pipes dimensioned by DIN 11866		
DN 40 (1½")	6 0	
DN 50 (2")	6 1	
DN 65 (2½")	6 2	
DN 80 (3")	6 3	
DN 100 (4")	6 4	
Configuration		
Flow and density (5 kg/m ³)	1	
Flow, Brix/Plato and density (1 kg/m ³) ¹⁾	2	
Density (1 kg/m ³) ¹⁾	5	
Fraction (specified by customer) and density (1 kg/m ³) ¹⁾	9	NO Y

Selection and Ordering data	Order No.	Order code
SITRANS F C flow sensors MC2	7ME4300-	
Ex-approval		
Standard, without explosion protection		A
With explosion protection: Ex, ATEX		B
With explosion protection: Ex, FM Class I, Div 1		C
With explosion protection: Ex, FM Class I, Div 2		D
Cable		
No cable (see accessories)		A
Calibration		
Standard		1
Matched pair		2
Extended calibration customer-specified select Y60, Y61, Y62 or Y63 (see additional information)		8

1) Extended density and fraction not possible with DN 150.

Please also see www.siemens.com/SITRANSForordering for practical examples of ordering

Dairy MLFB example	Order No.
MC2 sensor	7ME4300-
Sensor size DN 80, mat. no. 1.4571/316Ti	1 C
Nominal pressure: Clamps	F
DIN 11851, DN 80, PN 25	4 2
	
Configuration/calibration type: flow and density (5 kg/m ³)	1
Without Ex approval	A
No cable	A
Standard calibration	1

Selection and Ordering data	Order code
Additional information	
Please add "-Z" to Order No. and specify Order code(s) and plain text.	
Pressure testing certificate PED: 97/23/EC	C11
Material certificate EN 10204-3.1	C12
Welding certificate NDT X-ray: EN 25817/B	C13
Factory certificate according to EN 10204 2.2	C14
Factory certificate according to EN 10204 2.1	C15
Material certificate according to NACE	C16
Tag name plate, stainless steel	Y17
Customer-specified, matched pair (5 x 2)	Y60
Customer-specified calibration (5 x 2)	Y61
Customer-specified, matched pair (10 x 1)	Y62
Customer-specified calibration (10 x 1)	Y63
Special version	Y99

Accessories	Description	Order No.
Cables from MC2 sensor to MASS 6000 transmitter		
	10 m (32.8 ft)	FDK-083H3001
	25 m (82 ft)	FDK-083H3002
	75 m (246 ft)	FDK-083H3003
	150 m (492 ft)	FDK-083H3004

Flow sensor SITRANS F C MC2

Spare parts

Description	Order No.
2 kB SENSORPROM unit (Sensor Serial No. and Order No. must be specified at ordering)	FDK-083H4410
Connection board/PCB	A5E03004110

Selection and Ordering data

SITRANS F C flow sensors MC2 for Hygienic applications only	Order No.	Order code
	7ME4310 -	

Nominal diameter

Mat. no. 1.4435/316L

DN 20	1 A
DN 25	1 B
DN 40	1 C
DN 50	1 D
DN 65	1 E
DN 80	1 F

Nominal pressure 40 bar, PN 25

Clamps/screwed-connections

	F
--	----------

Pressure and Process connections

Dairy screwed connection to DIN 11851

DN 20, PN 25	4 0
DN 25, PN 25	4 1
DN 40, PN 25	4 2
DN 50, PN 25	4 3
DN 65, PN 25	4 4
DN 80, PN 25	4 5

Dairy clamp connectors for DIN 32676

Tri-clamp

20 mm clamp	4 7
26 mm clamp	4 8
38 mm clamp	5 4
50 mm clamp	5 0
66 mm clamp	5 1
81 mm clamp	5 2

Aseptic connectors DIN 11864-2 Form A for
DIN tubes

DN 20	5 8
DN 25	5 7
DN 40	6 0
DN 50	6 1
DN 65	6 2
DN 80	6 3

Configuration

Flow and density (5 kg/m ³)	1
Flow, BRIX/PLATO and density (1 kg/m ³) ¹⁾	2
Density (1 kg/m ³) ¹⁾	5
Flow, fraction (customer-specified application from the net)	9

Ex-approval

Standard, without explosion protection	A
With explosion protection: Ex, ATEX	B
With explosion protection: Ex, FM Class I, Div 1	C
With explosion protection: Ex, FM Class I, Div 2	D

Cable

No cable (see accessories)	A
----------------------------	----------

Calibration

Standard	1
Matched pair	2

1) Extended density and fraction not possible with DN 150.

Operating instructions for SITRANS F C MC2

Description	Order No.
Operating instructions for SITRANS F C MC2	
• English	A5E02154544
• German	A5E02407329
• Spanish	A5E02384868
• French	A5E02384945

This device is shipped with a Quick Start guide and a CD containing further SITRANS F literature.

All literature is also available for free at:
<http://www.siemens.com/flowdocumentation>Please also see www.siemens.com/SITRANSOrdering for practical examples of ordering

Selection and Ordering data

Additional information	Order code
------------------------	------------

Please add "-Z" to Order No. and specify Order code(s) and plain text.

Pressure testing certificate PED: 97/23/EC	C11
Material certificate EN 10204-3.1	C12
Welding certificate NDT X-ray: EN 25817/B	C13
Factory certificate according to EN 10204 2.2	C14
Factory certificate according to EN 10204 2.1	C15
Tag name plate, stainless steel	Y17
Tag name plate, plastic	Y18
Customer-specific transmitter setup	Y20
Customer-specified, matched pair (5 x 2)	Y60
Customer-specified calibration (5 x 2)	Y61
Customer-specified, matched pair (10 x 1)	Y62
Customer-specified calibration (10 x 1)	Y63
Special version	Y99

Accessories

Description	Order No.
Cables from MC2 sensor to MASS 6000 transmitter	
10 m (32.8 ft)	FDK-083H3001
25 m (82 ft)	FDK-083H3002
75 m (246 ft)	FDK-083H3003
150 m (492 ft)	FDK-083H3004

Spare parts

Description	Order No.
2 kB SENSORPROM unit (Sensor Serial No. and Order No. must be specified by ordering)	FDK-083H4410

Flow Measurement SITRANS F C

Flow sensor SITRANS F C MC2

Dairy MLFB example

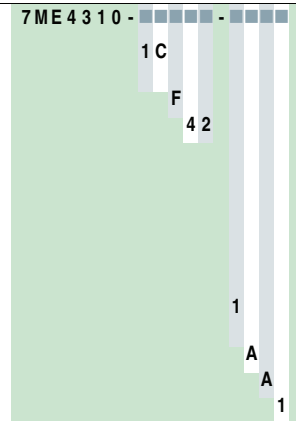
Order No.

MC2 sensor

Sensor size DN 40 Mat. no.
1.4435/316L
Nominal pressure: Clamp
DIN 11851, DN 40, PN 25



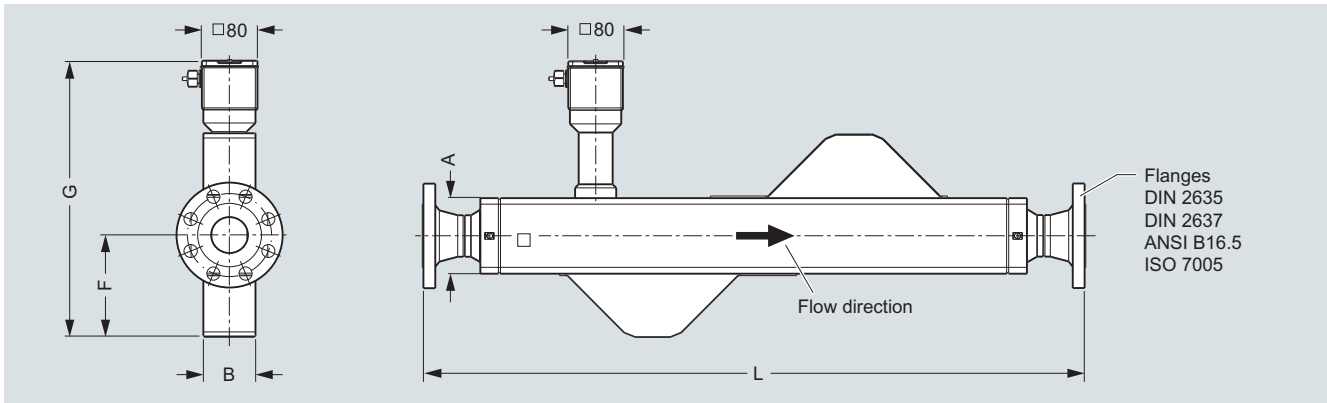
Configuration/calibration type: flow
and density (5 kg/m³)
Without Ex approval
No cable
Standard calibration



4

Dimensional drawings

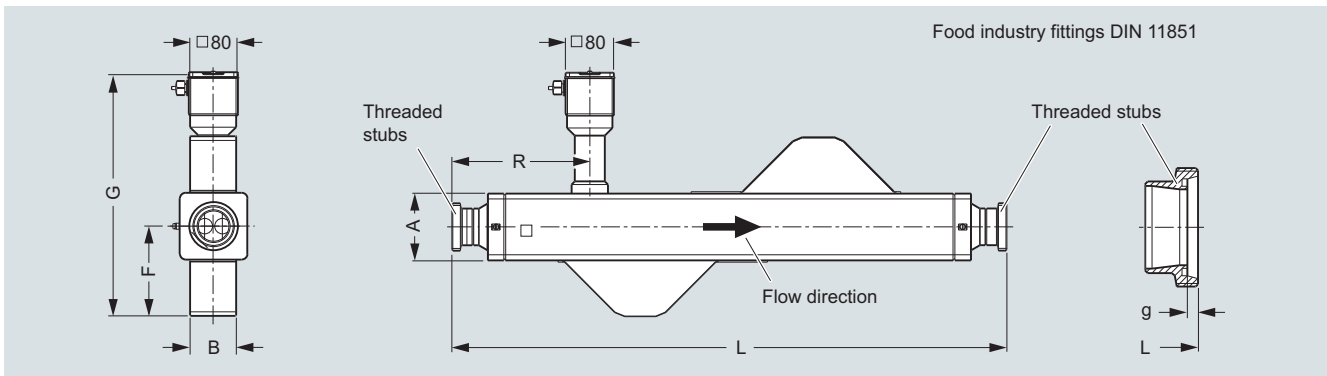
Remote design, flanged construction, DIN/ANSI



Meter size	Process connection size		L [mm (inch)]					G ¹⁾ [mm (inch)]	F [mm (inch)]	B [mm (inch)]	A [mm (inch)]	Weight [kg (lb)]		
	Inch	DN	DIN 11864-2 form A	DIN 2635 PN 40	DIN 2637 PN 100	ANSI CL 150	ANSI CL 300						ANSI CL 600	
2	50	2	50	918 (36.14)	940 (37.01)	979 (38.54)	970 (38.19)	980 (38.58)	1001 (39.41)	403 (15.87)	148 (5.83)	80 (3.15)	110 (4.33)	34 (75)
		2½	65	1081 (42.56)	1100 (43.31)	1148 (45.20)	1218 (47.95)	1228 (48.35)	1248 (49.13)					38 (84)
2½	65	2	50	1197 (47.13)	1220 (48.03)	1259 (49.57)	1250 (49.21)	1260 (49.61)	1281 (50.43)	429 (16.89)	164 (6.64)	97 (3.82)	130 (5.12)	43 (95)
		2½	65	1081 (42.56)	1100 (43.31)	1148 (45.20)	1218 (47.95)	1228 (48.35)	1249 (49.17)					47 (104)
		3	80	1200 (47.24)	1220 (48.03)	1260 (49.61)	1240 (48.82)	1260 (49.61)	1282 (50.47)					50 (110)
3	80	2½	65	1310 (51.57)	1330 (52.36)	1378 (54.25)	1365 (53.74)	1375 (54.13)	1396 (54.96)	456 (17.95)	186 (7.32)	108 (4.25)	140 (5.51)	56 (123)
		3	80	1200 (47.24)	1220 (48.03)	1260 (49.61)	1240 (48.82)	1260 (49.61)	1282 (50.47)					58 (128)
		4	100	1463 (57.60)	1480 (58.27)	1530 (60.24)	1500 (59.06)	1520 (59.84)	1568 (61.73)					69 (152)
4	100	3	80	1618 (63.70)	1640 (64.57)	1680 (66.14)	1660 (65.35)	1680 (66.14)	1702 (67.01)	500 (19.69)	215 (8.46)	131 (5.16)	170 (6.69)	84 (185)
		4	100	1463 (57.60)	1480 (58.27)	1530 (60.24)	1500 (59.06)	1520 (59.84)	1568 (61.73)					91 (201)
		6	150	N/A	1778 (69.92)	N/A	1806 (71.10)	1826 (71.89)	N/A					120 (265)
6	150	6	150	N/A	2040 (80.31)	N/A	2070 (81.50)	2090 (82.28)	N/A	613 (24.13)	285 (11.22)	190 (7.84)	260 (9.84)	260 (573)

¹⁾ For EEx add 54 mm

Remote design, food industry fittings, DIN 11851



Meter size	Process connection size			L [mm (inch)]	g [mm (inch)]	G ¹⁾ [mm (inch)]	F [mm (inch)]	B [mm (inch)]	A [mm (inch)]	R [mm (inch)]	Weight [kg (lb)]	
Inch	DN	Inch	DN									
2	50	2	50	Rd 78 x 1/6	918 (36.14)	7 (0.28)	403 (15.87)	148 (5.83)	80 (3.15)	110 (4.33)	177 (6.97)	30 (66)
		2½	65	Rd 95 x 1/6	1081 (42.56)	8 (0.31)					254 (10.00)	34 (75)
2½	65	2	50	Rd 78 x 1/6	1197 (47.13)	7 (0.28)	429 (16.89)	164 (6.46)	97 (3.82)	130 (5.12)	291 (11.46)	40 (88)
		2½	65	Rd 95 x 1/6	1081 (42.56)	8 (0.31)					227 (10.91)	44 (97)
		3	80	Rd 110 x 1/6	1200 (47.24)	8 (0.31)					281 (11.06)	47 (104)
3	80	2½	65	Rd 95 x 1/6	1310 (51.57)	8 (0.31)	456 (17.95)	186 (7.32)	108 (4.25)	140 (5.51)	319 (12.56)	54 (119)
		3	80	Rd 110 x 1/6	1200 (47.24)	8 (0.31)					258 (10.16)	56 (123)
		4	100	Rd 110 x 1/6	1463 (57.60)	10 (0.39)					381 (15.00)	60 (132)
4	100	3	80	Rd 110 x 1/6	1618 (63.70)	8 (0.31)	500 (19.69)	215 (8.46)	131 (5.16)	170 (6.69)	401 (15.79)	82 (180)
		4	100	Rd 130 x ¼	1463 (57.60)	10 (0.39)					314 (12.36)	86 (190)

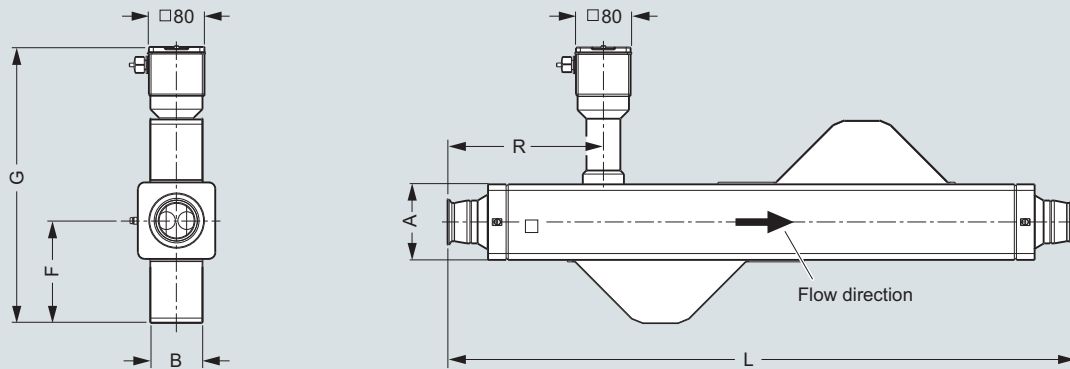
¹⁾ For EEx add 54 mm

Flow Measurement

SITRANS F C

Flow sensor SITRANS F C MC2

Remote design, Tri-clamp DIN 32676 (ISO 2852)



Dimensions in mm (inch)

Meter size		Process connection size		L [mm (inch)] ± 3	G ¹⁾ [mm (inch)]	F [mm (inch)]	B [mm (inch)]	A [mm (inch)]	R [mm (inch)]	Weight [kg (lb)]	
Inch	DN	Inch	DN								
2	50	2	50	913 (35.94)	403 (15.87)	148 (5.83)	80 (3.15)	110 (4.33)	225 (8.86)	26 (57)	
		2½	65	1073 (42.24)						305 (12.01)	27 (60)
2½	65	2	50	1192 (46.93)	429 (16.89)	164 (6.64)	97 (3.82)	130 (5.12)	335 (13.19)	36 (79)	
		2½	65	1073 (42.24)						275 (10.83)	37 (82)
		3	80	1180 (46.46)						328 (12.91)	38 (84)
3	80	2½	65	1302 (51.26)	456 (17.95)	186 (7.32)	108 (4.25)	140 (5.51)	378 (14.88)	45 (99)	
		3	80	1180 (46.46)						296 (11.65)	44 (97)
		4	100	1448 (57.01)						430 (16.93)	46 (101)
4	100	3	80	1598 (62.91)	500 (19.69)	215 (8.46)	131 (5.16)	170 (6.69)	440 (17.32)	71 (157)	
		4	100	1448 (57.01)						365 (14.37)	69 (152)

¹⁾ For EEx add 54 mm

Flow Measurement SITRANS F C

Flow sensor SITRANS F C MC2

Process Connections

- Flanges DIN/ASME
- Tri-Clamp DIN 32676
 - DN 15 to DN 50: Series 3
 - DN 65 to DN 100: Series 1
- Food Industry fittings DIN 11851

The max. allowable operating pressure is a function of the process connection type, the fluid temperature, the bolts and the gaskets.

Pressure Rating

- PN 16, PN 40, PN 100 (to DN 80 (3"))
Class 150, Class 300, Class 600 (to DN 80 (3"))

Housing as secondary containment

- Max. 40 bar

Pressure Equipment Directive 97/23/EG

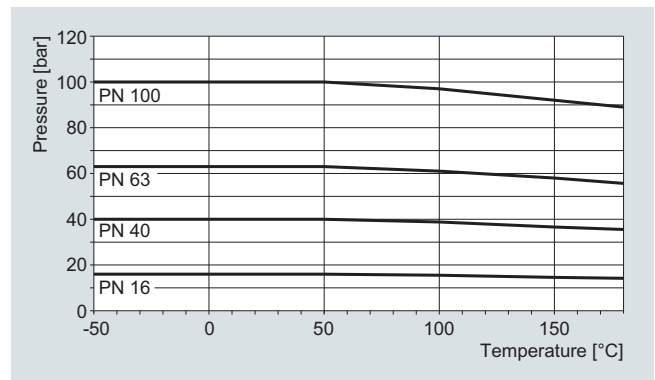
- Conformity evaluation category III, fluid group 1, gas, diagramme 6

Corrosion resistance of measuring pipe material to measuring medium has to be considered.

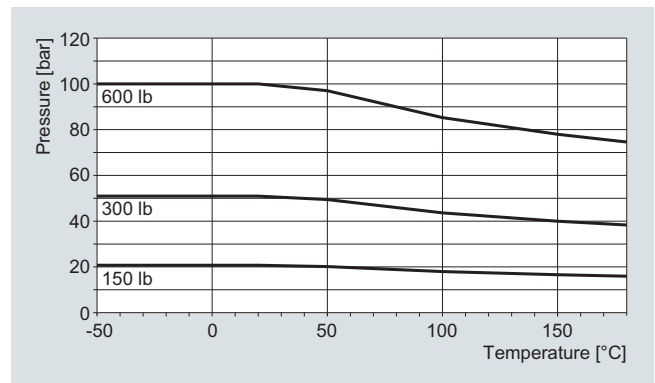
Material strength for process connections

Process connection	Size		PS _{max.} at 20 °C (68 °F) bar (psi g)	TS _{max.} °C (°F)	TS _{min.} °C (°F)
	DN	Inch			
Thread acc. DIN 11851	15 ... 40	½ ... 1½	40 (580)	140 (284)	-40 (-40)
	50 ... 100	2 ... 4	25 (363)	140 (284)	-40 (-40)
Tri-Clamp acc. DIN 32676	15 ... 50	½ ... 2	16 (232)	120 (248)	-40 (-40)
	65 ... 100	2½ ... 4	10 (145)	120 (248)	-40 (-40)

Pressure-temperature curves



DIN-Flanges SS 1.4571/316Ti to DN 100 (4")

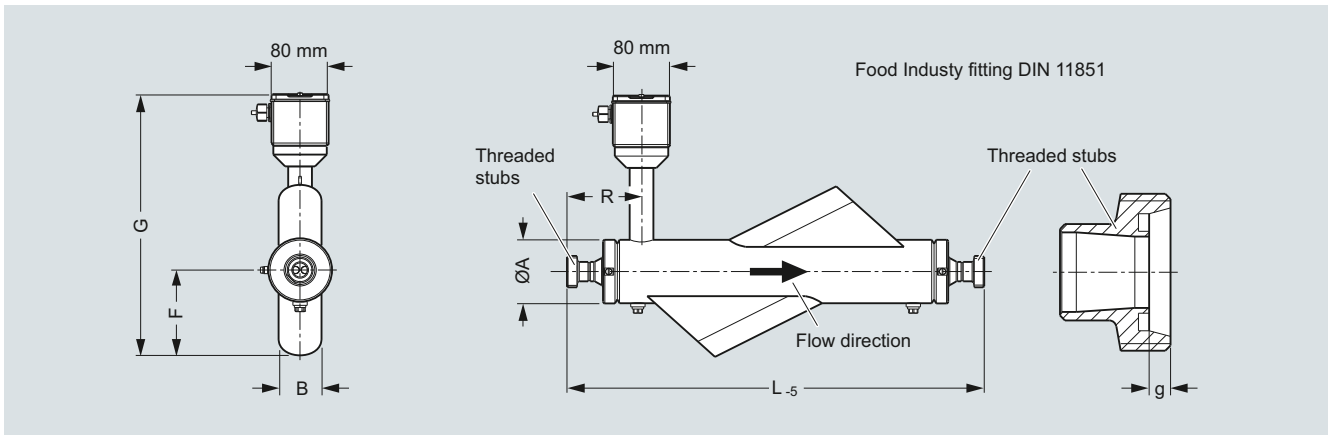


ASME-Flanges SS 1.4571/316Ti to DN 100 (4")

Flow Measurement SITRANS F C

Flow sensor SITRANS F C MC2

Remote Design, Food Industry Fitting, DIN 11851



4

DN (Size)		Process connections			L ₋₅	g	G	F	B	ØA	R	Weight
DN	inch	DN	inch		mm (inch)	mm (inch)	mm (inch)	mm (inch)	mm (inch)	mm (inch)	mm (inch)	kg (lb)
20	¾	15	½	Rd34 x 1/8	672 (26.46)	4 (0.16)	358 (14.94)	127 (5.00)	66 (2.60)	89 (3.50)	152 (5.98)	13 (29)
		20	¾	Rd44 x 1/6	583 (22.95)	6 (0.24)					102 (4.02)	
		25	1	Rd52 x 1/6	683 (26.89)	7 (0.28)					152 (5.98)	
25	1	20	¾	Rd44 x 1/6	743 (29.25)	6 (0.24)	358 (14.94)	127 (5.00)	66 (2.60)	89 (3.50)	162 (6.38)	14 (31)
		25	1	Rd52 x 1/6	643 (25.31)	7 (0.28)					112 (4.11)	
		40	1½	Rd65 x 1/6	786 (30.94)	7 (0.28)					185 (7.28)	

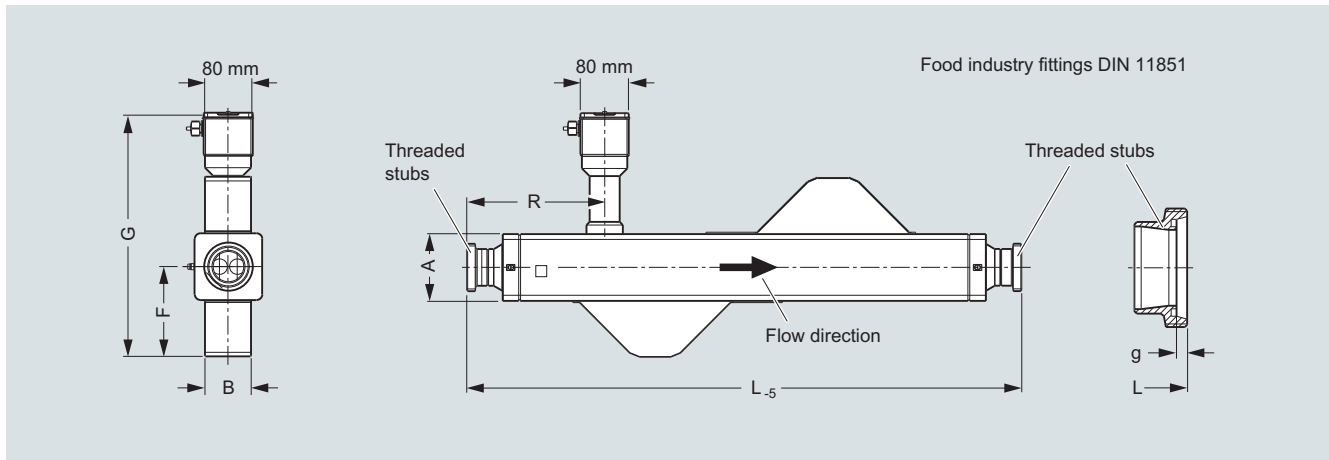


If this connection is supplied with an EHEDG-certified device, the device nominal sizes must correspond with the connection nominal sizes!

Flow Measurement SITRANS F C

Flow sensor SITRANS F C MC2

Remote Design, Food Industry Fitting, DIN 11851



DN (Size)	Process connections				L ₅	g	G	F	B	∅A	R	Weight
DN	inch	DN	inch		mm (inch)	mm (inch)	mm (inch)	mm (inch)	mm (inch)	mm (inch)	mm (inch)	kg (lb)
40	1½	25	1	Rd52 x 1/6	864 (34.02)	7 (0.28)	374 (14.72)	129 (5.08)	64 (2.52)	90 (3.54)	218 (8.58)	16 (35)
		40	1½	Rd65 x 1/6	761 (29.96)	7 (0.28)					164 (6.46)	18 (40)
		50	2	Rd78 x 1/6	918 (36.14)	7 (0.28)					241 (9.49)	19 (42)
50	2	40	1½	Rd65 x 1/6	1025 (40.35)	7 (0.28)	403 (15.87)	148 (5.83)	80 (3.15)	110 (4.33)	233 (9.17)	28 (62)
		50	2	Rd78 x 1/6	918 (36.14)	7 (0.28)					177 (6.97)	30 (66)
		65	2½	Rd95 x 1/6	1081 (42.56)	8 (0.31)					254 (10.00)	34 (75)
65	2½	50	2	Rd78 x 1/6	1197 (47.13)	7 (0.28)	429 (16.89)	164 (6.46)	97 (3.82)	130 (5.12)	291 (11.46)	40 (88)
		65	2½	Rd95 x 1/6	1081 (42.56)	8 (0.31)					227 (8.94)	44 (97)
		80	3	Rd110 x 1/4	1200 (47.24)	8 (0.31)					281 (11.06)	47 (104)
80	3	65	2½	Rd95 x 1/6	1310 (51.57)	8 (0.31)	456 (17.95)	186 (7.32)	108 (4.25)	140 (5.51)	319 (12.56)	54 (119)
		80	3	Rd110 x 1/4	1200 (47.24)	8 (0.31)					258 (10.16)	56 (123)
		100	4	Rd130 x 1/4	1463 (57.60)	10 (0.39)					381 (15.00)	60 (132)

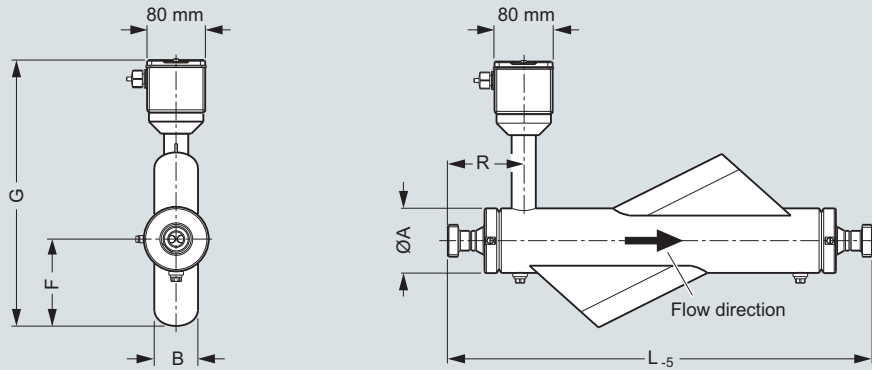


If this connection is supplied with an EHEDG-certified device, the device nominal sizes must correspond with the connection nominal sizes!

Flow Measurement SITRANS F C

Flow sensor SITRANS F C MC2

Remote Design, Tri-Clamp DIN 32676



4

DN (Size)		Process connections			L ₅ mm (inch)	G mm (inch)	F mm (inch)	B mm (inch)	ØA mm (inch)	R mm (inch)	Weight kg (lb)
DN	Inch	DN	Inch								
20	¾	15	½	DIN 32676	656 (25.83)	358 (14.09)	127 (5.00)	66 (2.60)	89 (3.50)	140 (5.51)	12 (26)
		20	¾		561 (22.09)					92 (3.62)	
		25	1		661 (26.02)					142 (5.59)	
25	1	20	¾	DIN 32676	721 (28.39)	358 (14.09)	127 (5.00)	66 (2.60)	89 (3.50)	152 (5.98)	13 (29)
		25	1		621 (24.45)					102 (4.02)	
		40	1½		773 (30.43)					180 (7.09)	

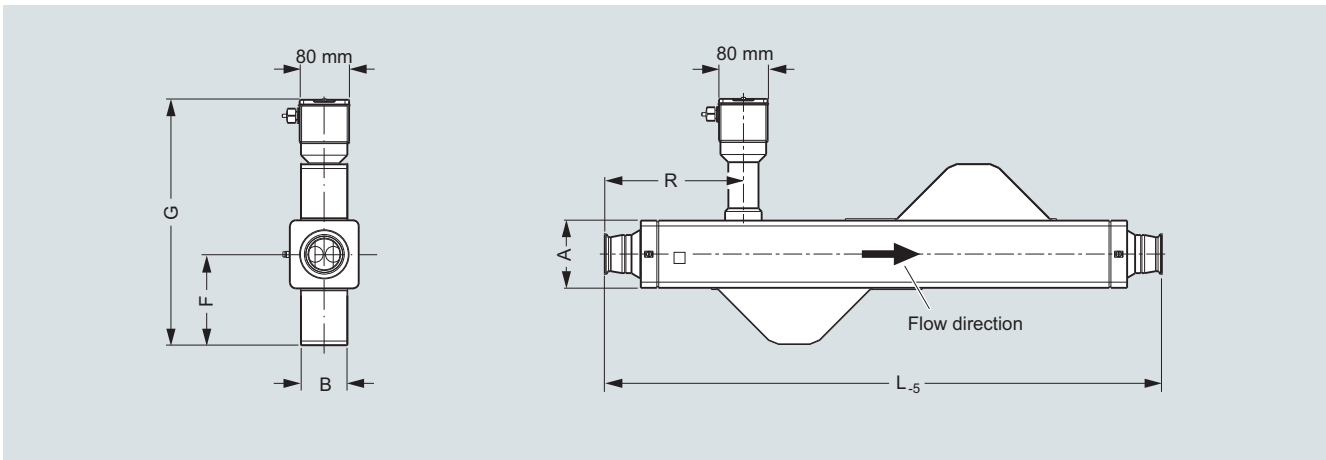


If this connection is supplied with an EHEDG-certified device, the device nominal sizes must correspond with the connection nominal sizes!

Flow Measurement SITRANS F C

Flow sensor SITRANS F C MC2

Remote Design, Tri-Clamp DIN 32676



4

DN (Size)		Process connections		L ₅	G	F	B	∅A	R	Weight
DN	inch	DN	inch	mm (inch)	mm (inch)	mm (inch)	mm (inch)	mm (inch)	mm (inch)	kg (lb)
40	1½	25	1	842 (33.15)	374 (14.72)	129 (5.08)	64 (2.52)	90 (3.54)	242 (9.53)	17 (37)
		40	1½	748 (29.45)					195 (7.68)	17 (37)
		50	2	913 (35.94)					278 (10.94)	18 (40)
50	2	40	1½	1012 (39.84)	403 (15.87)	148 (5.83)	80 (3.15)	110 (4.33)	275 (10.83)	27 (60)
		50	2	913 (35.94)					225 (8.86)	26 (57)
		65	2½	1073 (42.24)					305 (12.01)	27 (60)
65	2½	50	2	1192 (46.93)	429 (16.89)	164 (6.46)	97 (3.82)	130 (5.12)	335 (13.19)	36 (79)
		65	2½	1073 (42.24)					275 (10.83)	37 (82)
		80	3	1180 (46.46)					328 (12.91)	38 (84)
80	3	65	2½	1302 (51.26)	456 (17.95)	186 (7.32)	108 (4.25)	140 (5.51)	378 (14.88)	45 (99)
		80	3	1180 (46.46)					296 (11.65)	44 (97)
		100	4	1448 (57.01)					430 (16.93)	46 (101)



If this connection is supplied with an EHEDG-certified device, the device nominal sizes must correspond with the connection nominal sizes!